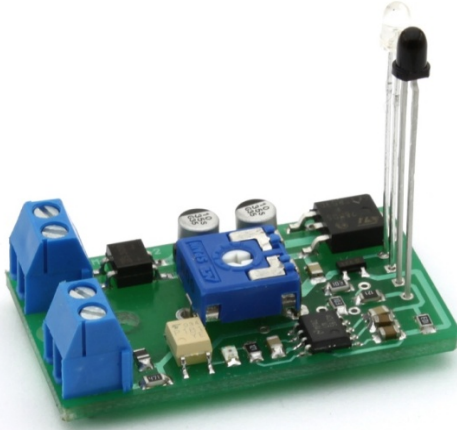
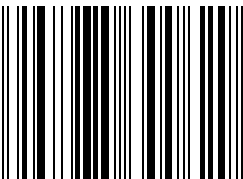


TM-73379



Reflection object sensor

User's manual



5 998975 300629



© 2011 BioDigit Ltd.

All rights reserved. It is forbidden to reproduce and/or publish the contents of the present document in any form including electronic and mechanical design without the written permission of BioDigit Ltd.



Safety warning

During the operation of the device the specified technical parameters shall always be met. At the installation the environment shall be fully taken into consideration. The device must not be exposed to moisture and direct sunshine.

A soldering tool may be necessary for the installation and/or mounting of the devices, which requires special care.

During the installation it shall be ensured that the bottom of the device should not contact with a conductive (e.g. metal) surface!

Contents

Safety warning	1
Properties	2
Technical parameters	2
Short description	2
Mounting	2
Wiring	2
Adjustment	3
Guarantee and legal statement	3

Properties

- Uses infrared sensor
- Protected against ambient light
- Galvanically isolated output
- Adjustable sensing distance

Technical parameters

Supply voltage: 8-16V

Idle mode current consumption: 20 mA

Max. current consumption: 30 mA

Dimensions: 44x23 mm

Short description

It enables touch free sensing due to the infrared light. The module receives the infrared light reflected from the object in front of the sensor and activates the output.

Mounting

The module is practicable to be mounted under the table with the pertaining sensor fitted to the plane of the table or the track through prepared bores (Figure 2).

Sometimes it may be required to isolate the sensors by means of insulating tape or shrinkable tube.

Wiring

The module shall be installed according to the wiring diagram (Figure 1).

It is possible to connect to the module various devices e.g. LEDs or the control input of other circuits: Sound player (TM-76875), Light signalling decoder (74433), Railroad crossing control unit (72427) etc.

Adjustment

The sensing distance can be adjusted by means of the potentiometer "Adjust distance". Apply a setting at which the output is not continuously active yet!

Guarantee and legal statement

Each parameter of the device was submitted to comprehensive testing prior to marketing. The manufacturer undertakes one year guarantee for the product. Defects occurred during this period will be repaired by the manufacturer free of charge against the presentation of the invoice.

The validity of the guarantee will cease in case of improper usage and/or treatment.

Attention! By virtue of the European EMC directive the product can be used solely with devices provided with CE marking.

The mentioned standards and branch names are the trademarks of the firms concerned.

Figure 1

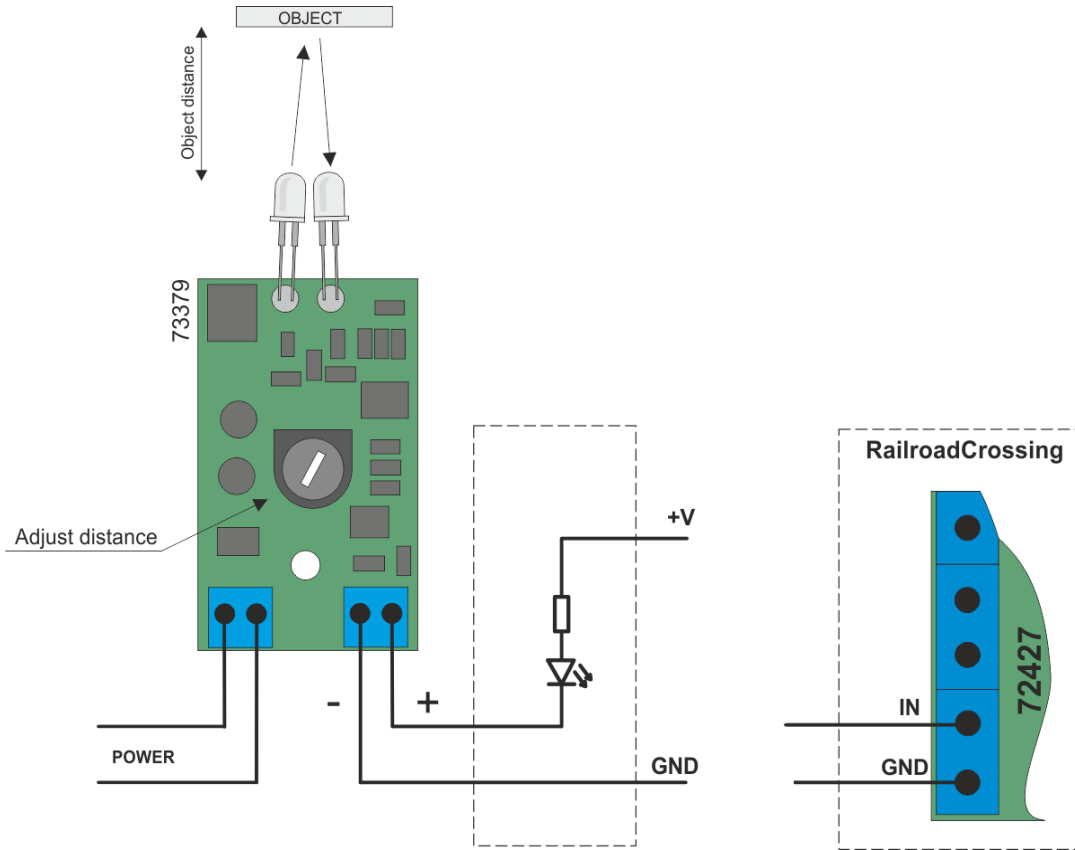


Figure 2

